



M&M Manufacturing Company

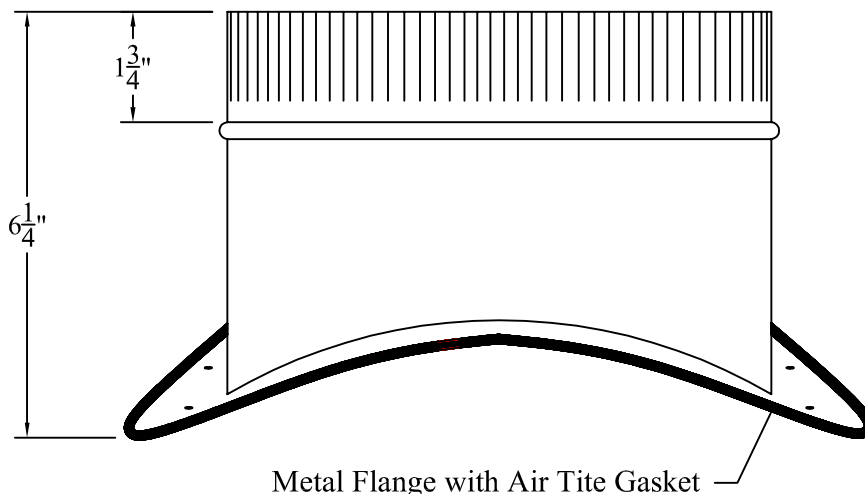
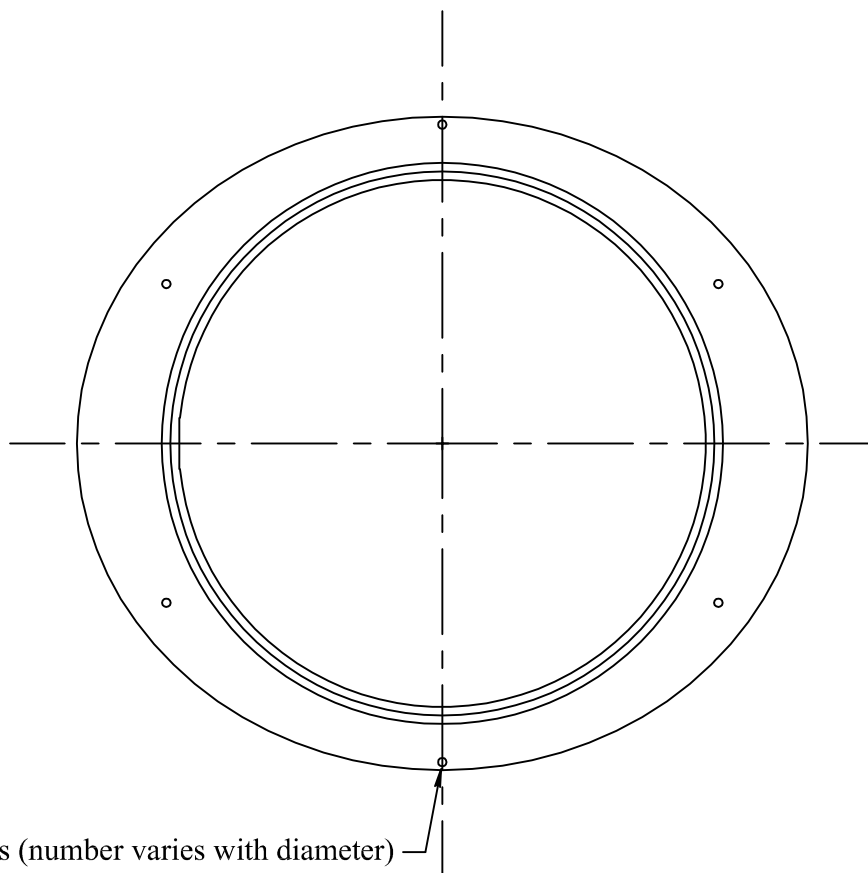
www.mmmfg.com

FORT WORTH (MkIV)
(817)-336-2311

FORT WORTH (Adolph)
(817)-334-0034

DALLAS
(972)-485-1504

HOUSTON
(713)-690-0585



PART #: 503SATT0(Size) **DESCRIPTION:** AIR TIGHT 90° SADDLE TAKE OFF

NOTES: Material: Ø4" - Ø14" = 28 ga.; Ø16" - Ø18" = 26 ga.; Ø20" - Ø24" = 24 ga.

ASTM-A653 CS B galvanized steel

Air Tite flange with gasket

Order as Pt# 503ATT0(Diameter in inches)